

<b>Model</b>	Sorter Adapter Type J	<b>Volt/Hz</b>	<b>Date of Modification</b>	<b>Serial Number</b>
<b>Modified Article</b>	Parts Catalog	No serial number for this model.		
<b>Reason for Modification</b>	Parts Catalog Correction			

Please correct your parts catalog as follows.

Incorrect P/N	Correct P/N	Description	Q'ty Used	Inter-change-ability	Parts Catalog	
					Index No.	Page
03410300B	03140300	Philips Pan Head Screw - M4 x 30	2 → 2	O/O	101	3

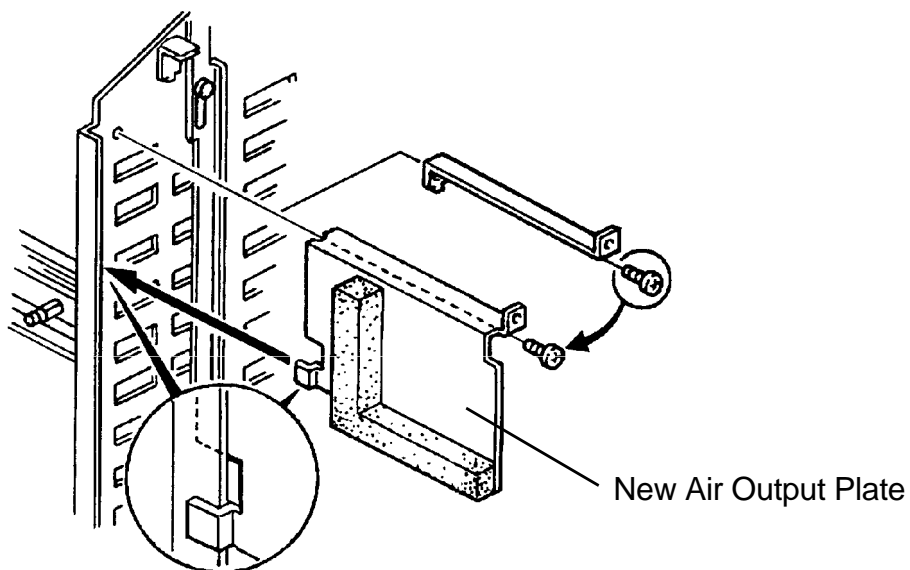


T. Inoue, General Manager  
1st Field Information Dept. QAC

<b>Model</b>	Sorter Adapter Type J	<b>Volt/Hz</b>	<b>Date of Modification</b>	<b>Serial Number</b>
<b>Modified Article</b>	Air Outlet Plate	No serial number cut-in information		
<b>Reason for Modification</b>	To improve the air flow			

The charge inlet fan may draw in air blown out from the fusing unit which may result in abnormal copy quality. To prevent this problem, the air outlet plate has been modified. The number of Philips pan head screws has been reduced from 9 to 8 since new plate uses a screw from the sorter.

Old P/N	New P/N	Description	Q'ty Used	Inter-changeability	Parts Catalog	
					Index No.	Page
A527 1042	A527 1045	Air Outlet Plate	1 → 1	X/O	3	3
	0314 0060B	Philips Pan Head Screw M4 x 6	n → n-1		103	3



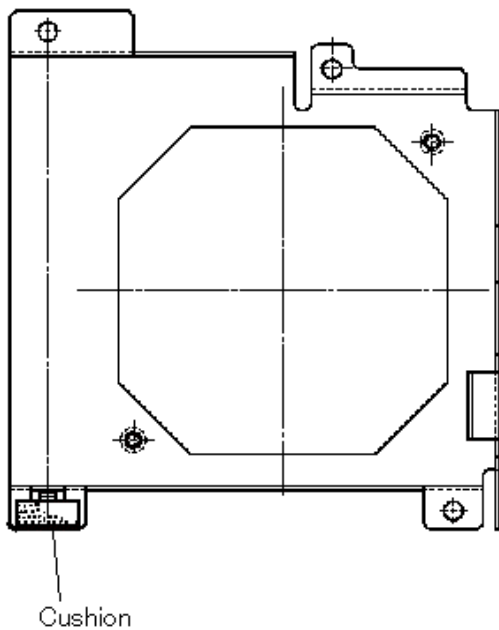
*T. Inoue*

T. Inoue, General Manager  
1st Field Information Dept. QAC

Model: DFC-Alpha Sorter Adapter Type J		Date: 15-Oct-98	No.: 3
Modified Article: Fan Motor Bracket		Prepared by: N. Kaiya	
From: GTS and S Field Information Dept.			
Reason for Modification:	<input type="checkbox"/> Parts catalog correction <input type="checkbox"/> To facilitate assembly <input type="checkbox"/> Part standardization	<input type="checkbox"/> Vendor change <input checked="" type="checkbox"/> To improve reliability <input type="checkbox"/> Other	<input type="checkbox"/> To meet standards ( )

To prevent noise from the vibration of the fan motor bracket, a foam cushion (Description: Shield Guide Plate) has been added.

Old part number	New part number	Description	Qty	Int	Page	Index	Destination
A5271041	A5271047	Fan Motor Bracket	1-1	x/o	3	2	
	AA151144	Shield Guide Plate	0-1		3	7	



Model: DFC-Alpha Sorter Adapter Type J		Date: 31-Mar-03	No.: MA527004
Modified Article: Fan Motor Harness		Prepared by: H. Matsui	
From: Technical Services Sec. Service Planning Dept.			
Reason for Modification:	<input checked="" type="checkbox"/> Parts catalog correction	<input type="checkbox"/> Vendor change	<input type="checkbox"/> To meet standards ( )
	<input type="checkbox"/> To facilitate assembly	<input type="checkbox"/> To improve reliability	
	<input type="checkbox"/> Part standardization	<input type="checkbox"/> Other	

The illustration for call out index #6 was not correct. Please correct your parts catalog as follows.

1. SORTER Adapter Type J (A527)

